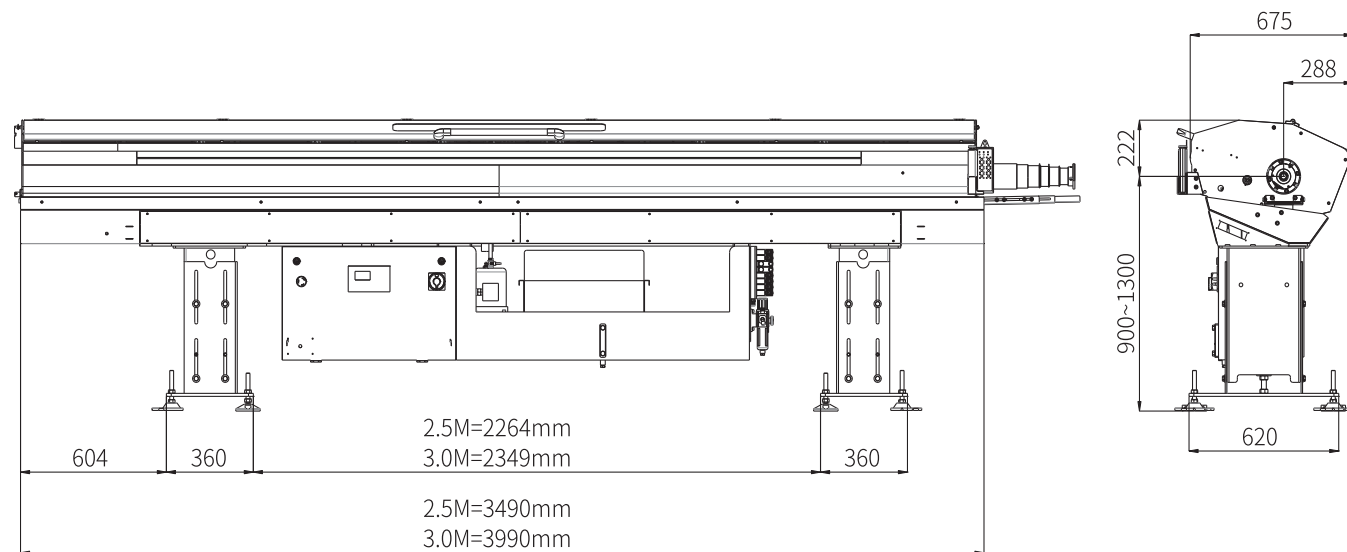


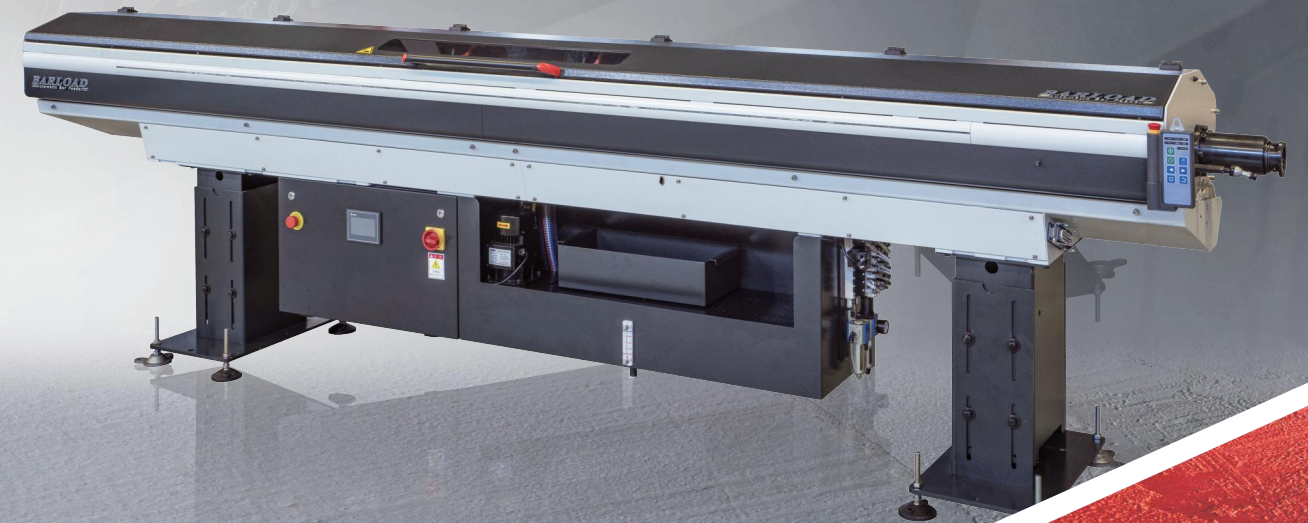
型号	MODEL	CAG						
规格	SPECIFICATIONS	2.5M / 3.0M						
料管尺寸	PU GUIDE CHANNEL	27mm	33mm	37mm	39mm	43mm	46mm	52mm
棒材直径	BAR DIAMETER	5-26mm	5-32mm	5-36mm	5-38mm	5-42mm	5-45mm	5-51mm
棒材容量	STEEL GUIDE CHANNEL	10mm / 28pcs						
棒材长度	BAR DIAMETER	2.5M:2700mm / 3.0M:3200mm						
机械重量	BAR CAPACITY	2.5M-840kg / 3.0M-950kg						
空压供应	AIR PRESSURE	6 kgf /cm ² 70 psi						
电源供应	POWER SUPPLY	3×220V 50/60HZ						
消耗功率	POWER CONSUMPTION	810W						
油箱容量	FUEL TANK CAPACITY	67公升 (16.7加侖) /68号 (油号)						

本公司不断研发创新
设计规格如变更
恕不另行通知

Design and speci-
fications are subject
to change without
prior notice.



BARLOAD[®]
BLOADER[®]
巴洛德[®]



» CAG系列

QUALITY · INNOVATION
RELIABILITY · EXPERIENCE

创新研发 · 台湾领航
品牌追求 · 世界前列

BARLOAD

BARLOAD[®]
BLOADER[®]
巴洛德[®]

昆山巴洛德机器人有限公司

江苏省昆山市玉山镇勤昆路66号2号房

TEL: 0512-36688366

FAX: 0512-36685958

东莞市富粤机械有限公司

广东省东莞市长安镇长安步步高路124号

5号楼103室

TEL: 0769-85390996 FAX: 0769-85390997

台湾富豪机电股份有限公司

50080台 彰化市石牌里 新路138

TEL: +886-4-7384895 FAX: +886-4-7320282

Http://www.barload.com

台湾富豪机电股份有限公司

TAIWAN BARLOAD MACHINE CO.,LTD

www.barload.com

LED远端监控

LED-stripe Display Features Operative Status



LED灯光外部显示器, 送料加工中棒材长度、换料、送料机异常、车床异常等讯息经LED灯光显示以视觉表现, 方便工作人员远距离监控。(专利)
Equipped with LED external display, message shown on the HMI display like bar length, bar position fed.(Patented)

复合式料管设计

Complex Module Guide Channel Sets Designs

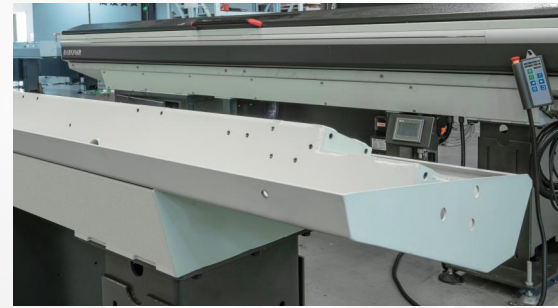


复合式料管: 采铝合金与胶管模组化设计, 比一般传统胶管增加数倍的使用寿命, 并具备更佳的刚性及抗震效果。
优点: 更换方便、不易变形、寿命长维护成本低廉。
Complex guide channel sets are designed with aluminum and-PU-material modules much more durable and longer. Life-span than regular rubber one, featuring superior structure rigidity and anti-vibration effect, quick over-change die-hard deformation, low-cost maintenance.

- 夹料免调整。(专利)
- 隐藏式高安全性配线。
- 换料时间快速。
- 可依实际需求, 调整扭力及速度。
- 油与残料分离收集设计。

机身刚性主樑设计

Enhanced Edition Denotes Structure Rigidity Designs



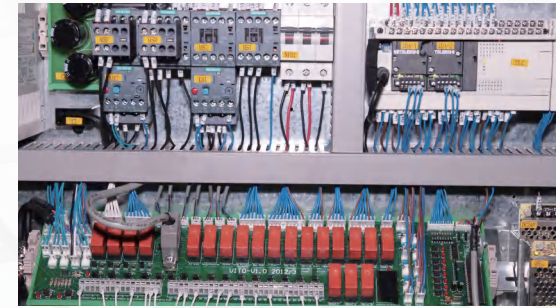
大型送料机, 机身刚性主樑能有效抑制加工所产生的振动及噪音, 明显提升加工效率及产品良率。
Structure rigidity designs to bigger feeding capacity is mainly towards improvements of noise-and-vibration issue, and overall productivity increases plus higher good parts ratio yields.



- Adjustment-free for sizing bar materials.(Patented)
- Hidden-and-secured wirings.
- Speedy bar-change.
- Adjustable torque force and speed.
- Well-designed for separating lubricant drain and remnant collection.

电控系统

Electrical System



伺服马达及驱动器: 采用国际知名品牌(三菱系统)。
Equipped with internationally famous brand Mitsubishi servo motor and driver.

防震系统

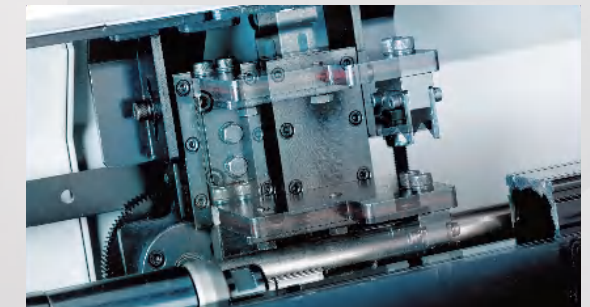
Anti-vibration System



V型防震块组, 依棒材大小调整防震, 节省更换时间及防震块费用, 并可使用圆形防震块组。
Easy adjusting "V type" anti-vibration, without change-over.

免调整夹料系统

Clamping-device Requires No Adjustment



材料尺寸大小无需调整, 挟持力量增强, 挟持不松脱省时方便。
A beefed-up clamping structure.

手控盒

Mobile Remote Control



操作简便、耐用耐摔、故障率低、维修更换费用便宜、性价比高。
Easy operation, durable and drop resistant, low failure ratio, cheap replacement, good value for the money.